

K2 POWER TKM

Tweeter

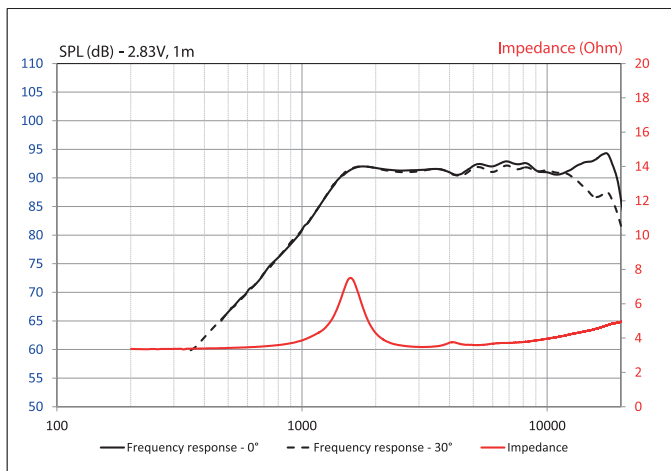


- Aramid fiber inverted dome tweeter with exclusive "M" profile
- 0^{25/32}" (20mm) VC diameter
- Removable ring for factory location installation

SPECIFICATIONS

Nominal power	15W	
Maximum power	100W	
Sensitivity (2,83V/1m)	92dB	
Cone	Kevlar sandwich	
Nom. impedance	4Ω	
Surround	Butyl	
DC resistance	3.5Ω	
VC diameter	20mm	0 ^{25/32} "
Former	Kapton	
Layers	2	
Wire	Alu	
Net weight	60g	0.13lbs

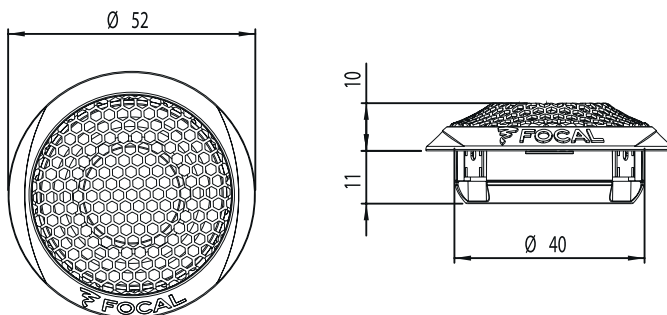
FREQUENCY RESPONSE/IMPEDANCE



PARAMETERS

Rdc	3.5 Ω
Fs	1600Hz

MECHANICAL DRAWING



Elite
"HAUTE COUTURE" SOUND



FOCAL
THE SPIRIT OF SOUND